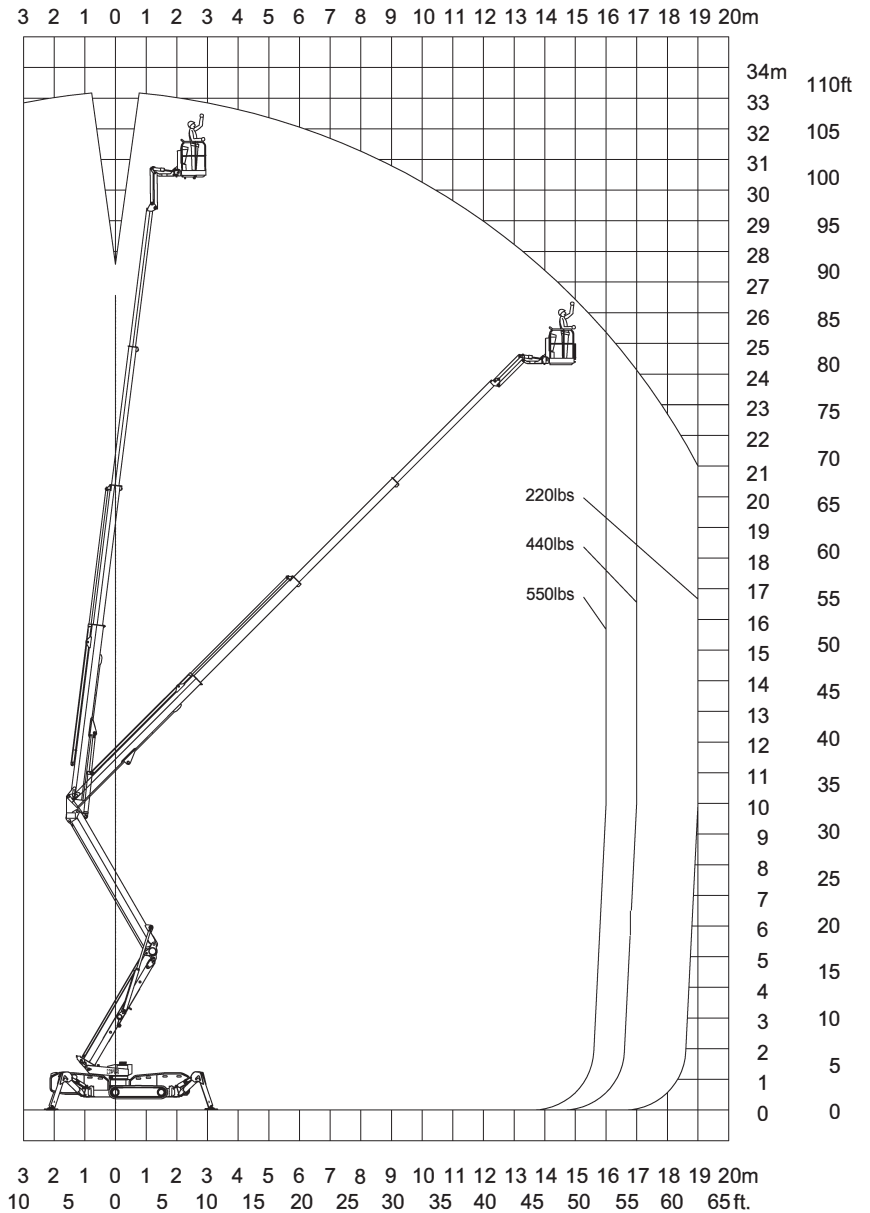
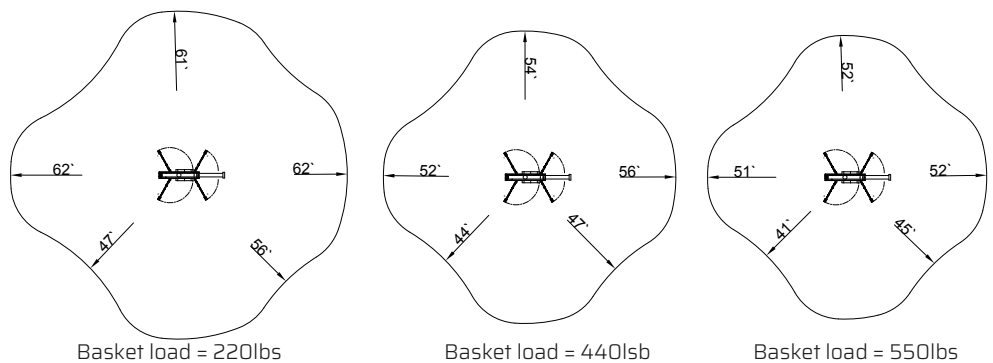


FALCON 108Z *Vario*

Reach diagram - Optimized position



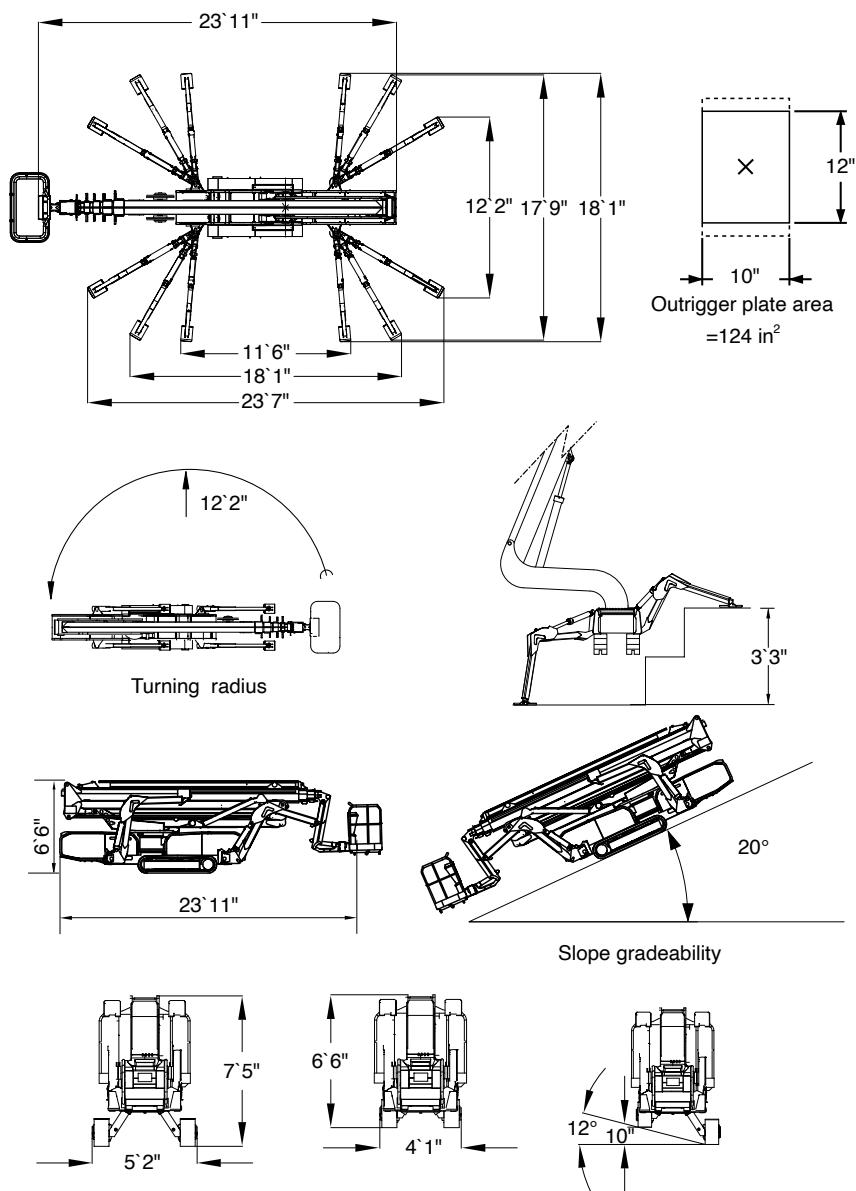
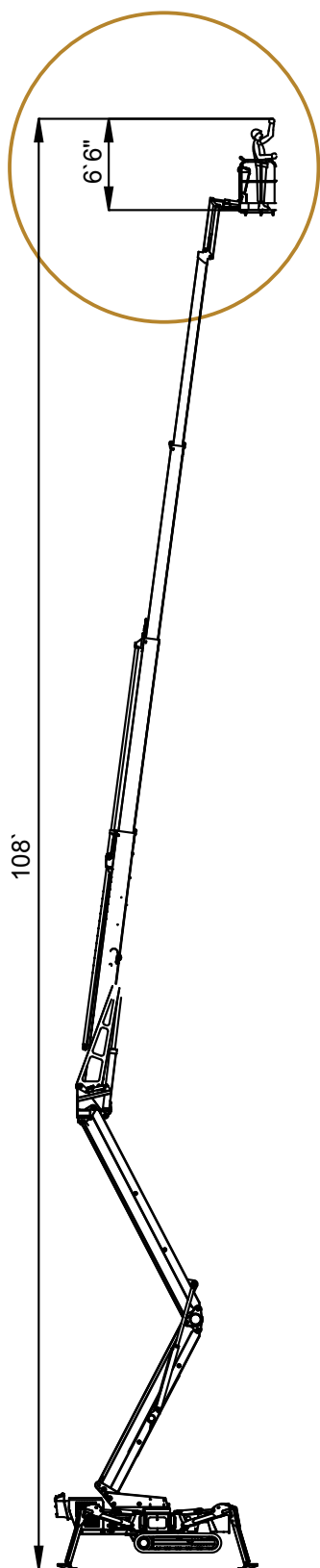
Reach with different basket load - Measurements in feet



All measurements are intended as guide. Choise of equipment may change the mentioned measurements

FALCON 108Z *Vario*

Outer measurements



Additional info:

Weight and ground pressure:

Weight with standard equipment	13900	lbs
Surface pressure under crawlers (soft surface)	15	PSI
Surface pressure under crawlers (hard surface)	31	PSI
Max. ground pressure under 1 outrigger plate	53	PSI