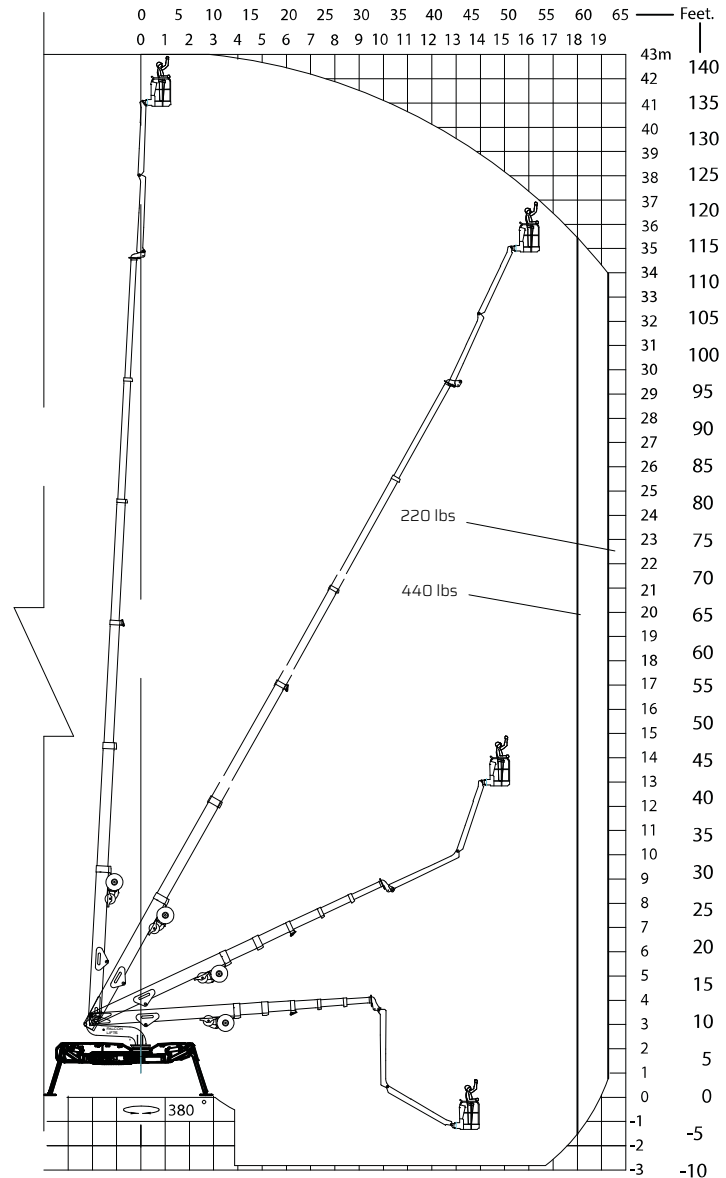
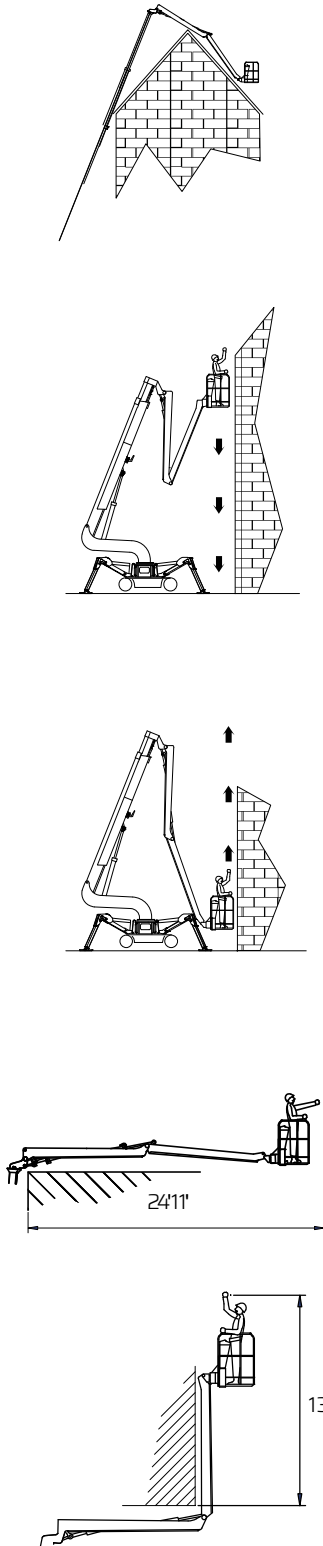
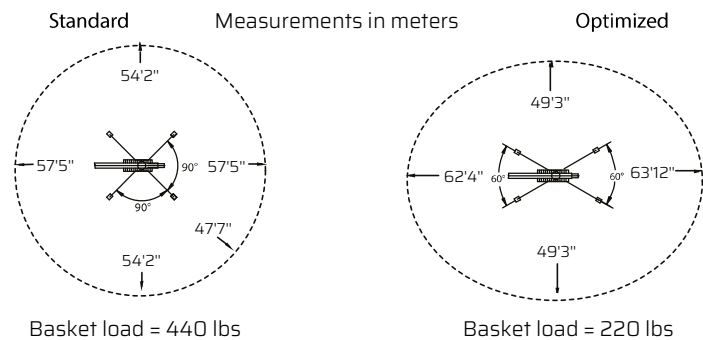


# FALCON 141 *Vario*

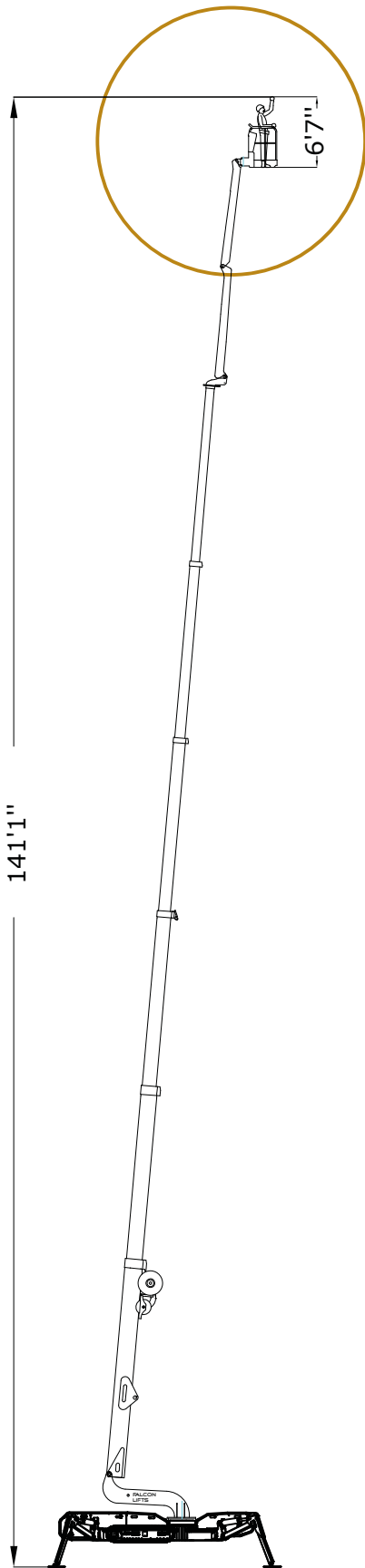
## Reach diagram - Optimized position



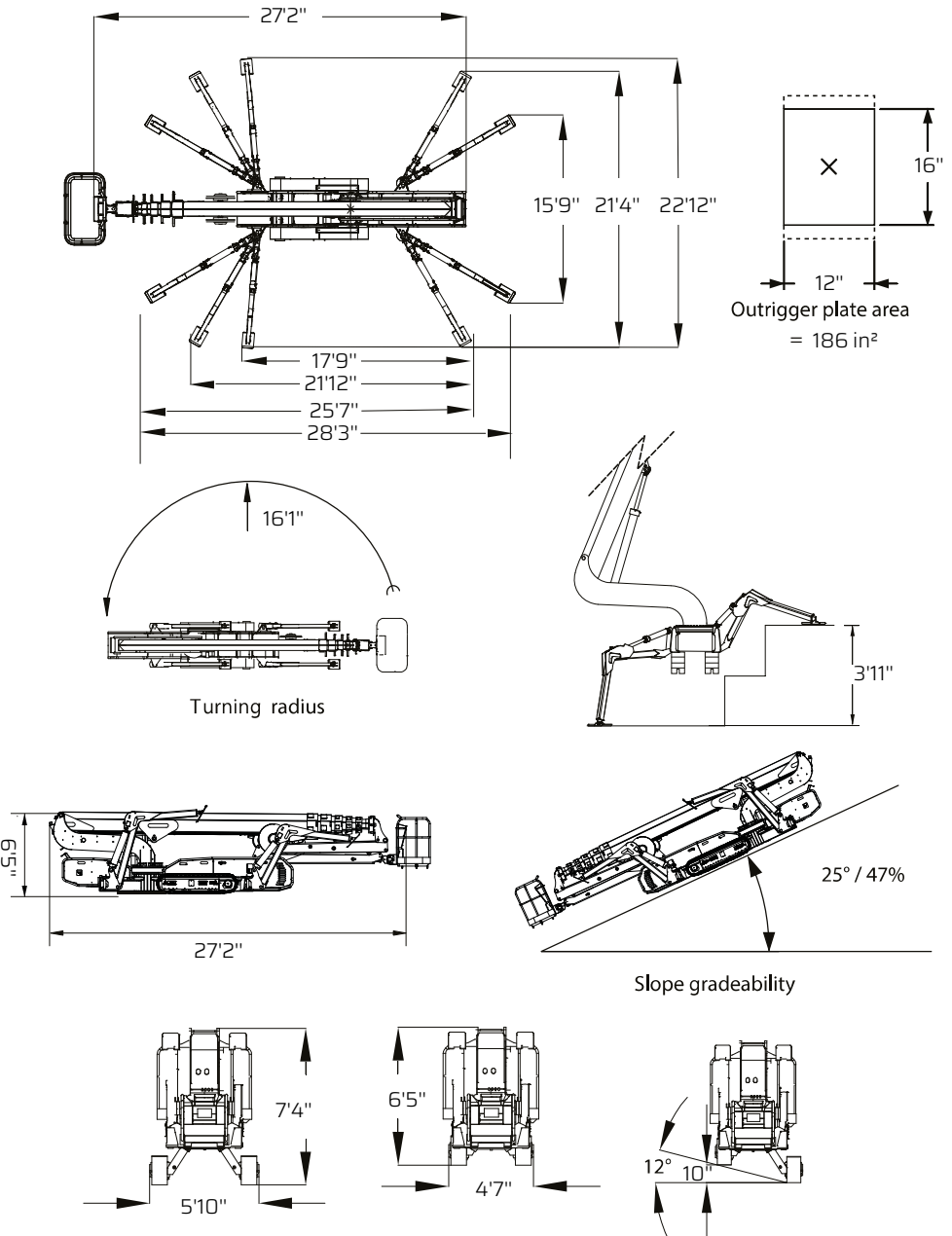
## Reach with outriggers in different positions



# FALCON 141 *Vario*



## Outer measurements



## Additional info:

### Weight and ground pressure:

Weight with standard equipment	18387	lbs.
Surface pressure under crawlers (soft surface)	13,23	PSI
Surface pressure under crawlers (hard surface)	26,46	PSI
Max. ground pressure under 1 outrigger plate	46,23	PSI