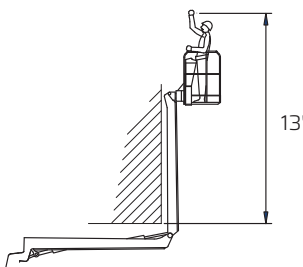
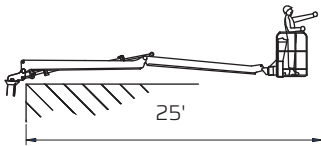
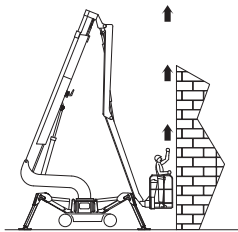
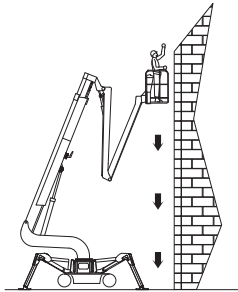
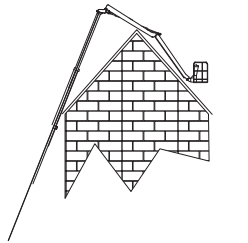
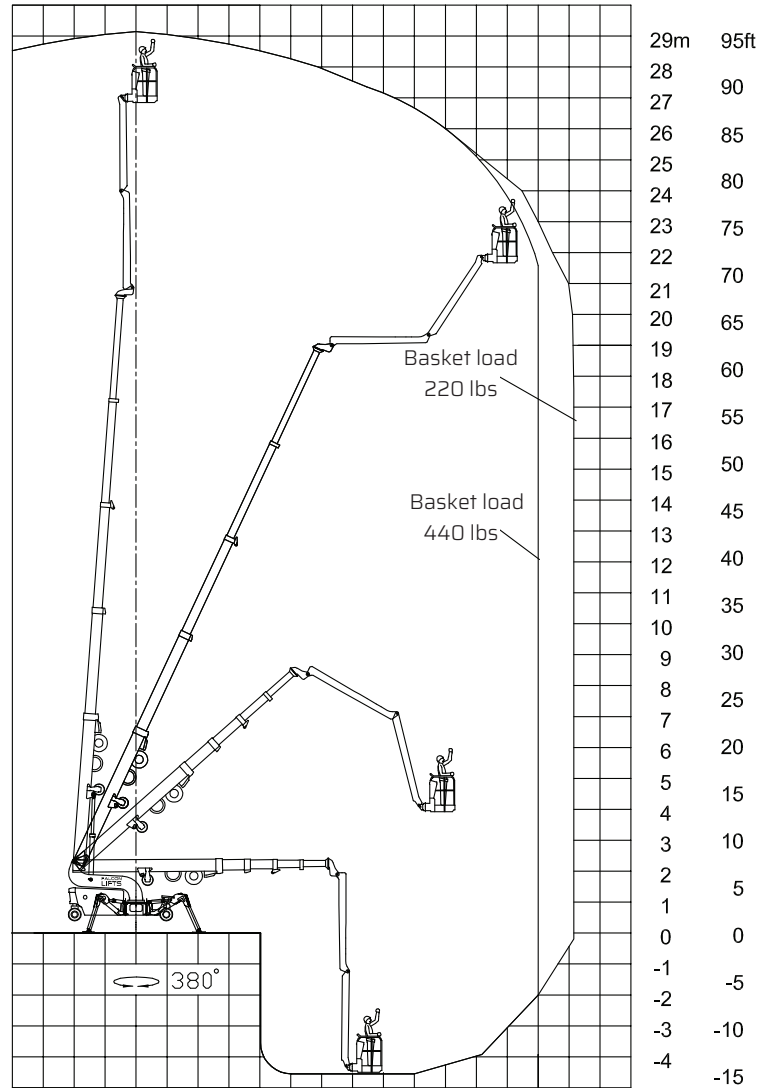


FALCON 95 *Wheel*

Reach diagram - Optimized position



15 10 5 0 5 10 15 20 25 30 35 40 45 50 ft.
 4 3 2 1 0 1 2 3 4 5 6 7 8 9 10 11 12 13 14 15m

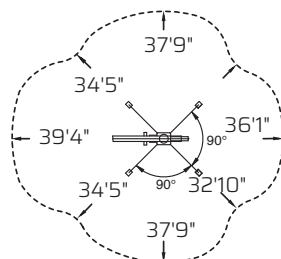


Reach with outriggers in different positions

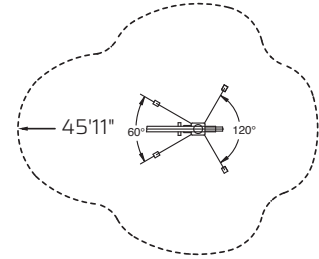
Standard

Measurements in meters

Optimized



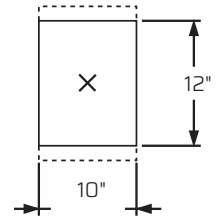
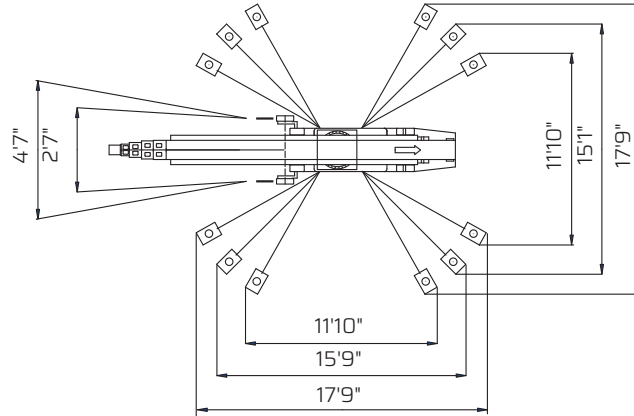
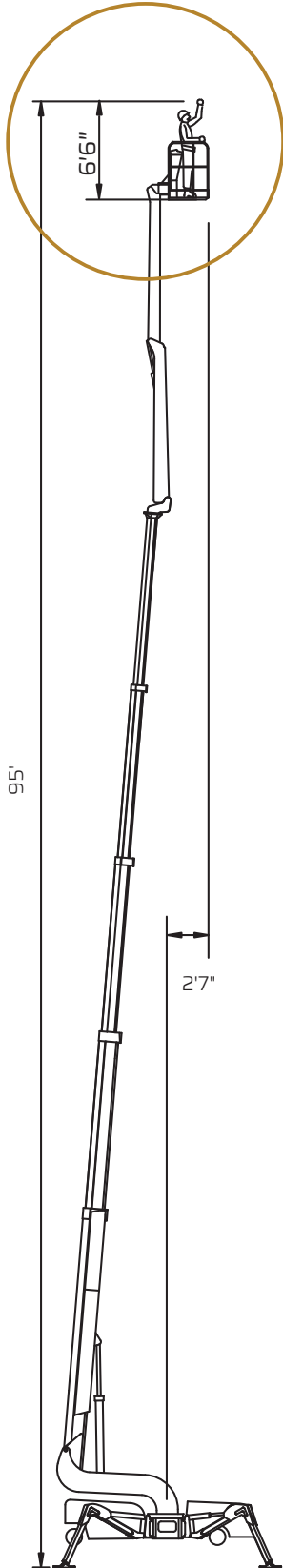
Basket load = 440 lbs



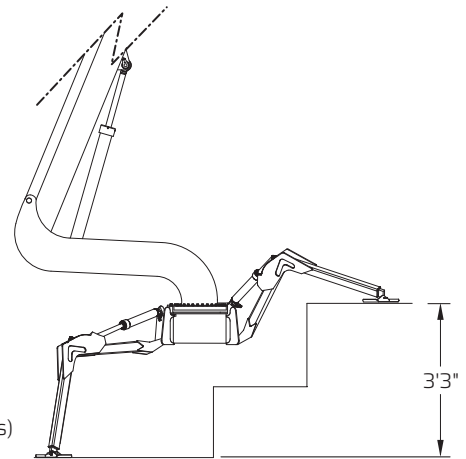
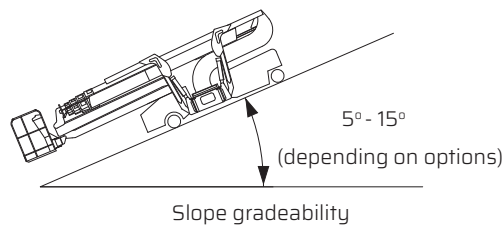
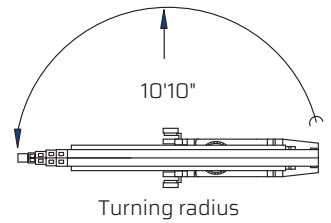
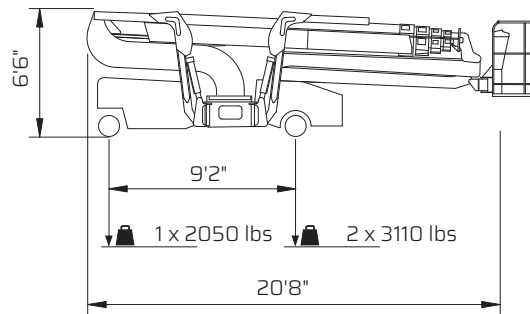
Basket load = 220 lbs

FALCON 95 *Wheel*

Outer measurements



Outrigger plate area = 124 in²



Additional info:

Weight and ground pressure:

Weight with standard equipment	8250 lbs
Max. ground pressure under 1 wheel	117 PSI
Max. ground pressure under 1 outrigger plate	34 PSI
Front wheel area (depending on wheel type)	1 x ~ 22 in ²
Rear wheel area (depending on wheel type)	2 x ~ 27 in ²

As all our products are in a constant process of development we reserve the right to alterations