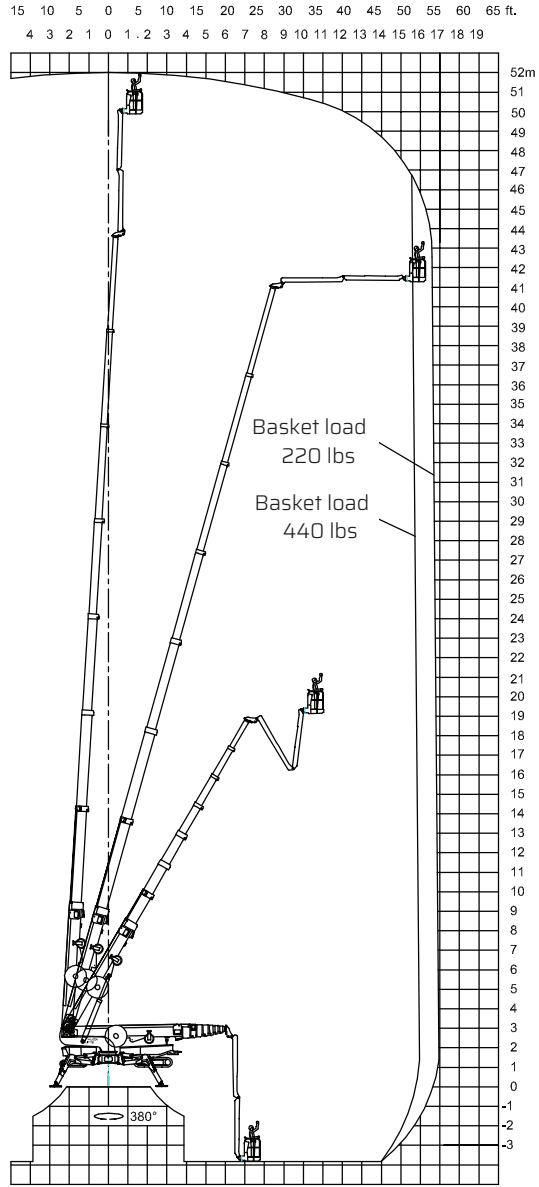
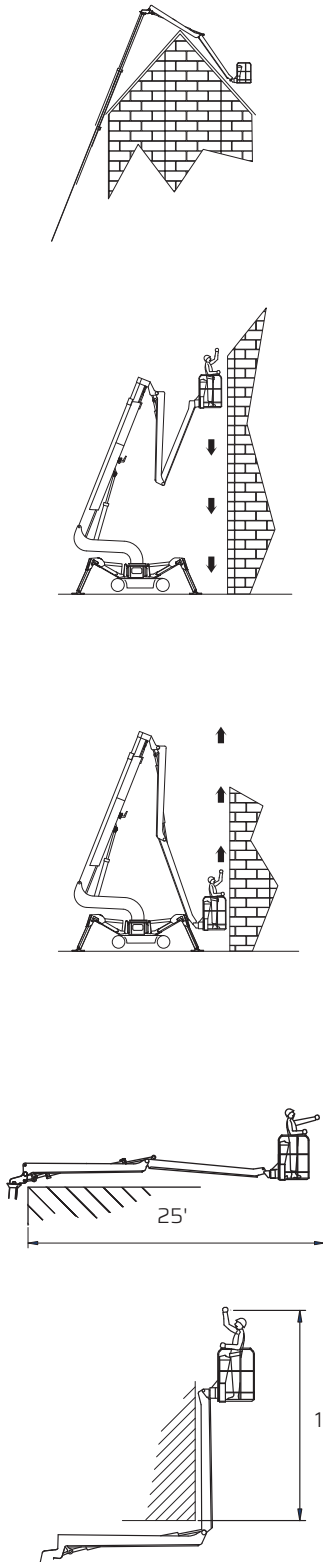
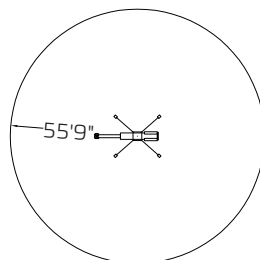


Reach diagram - Optimized position



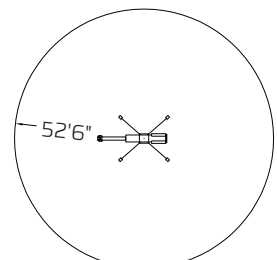
Reach with varying basket load

Standard



Basket load = 220 lbs

Standard

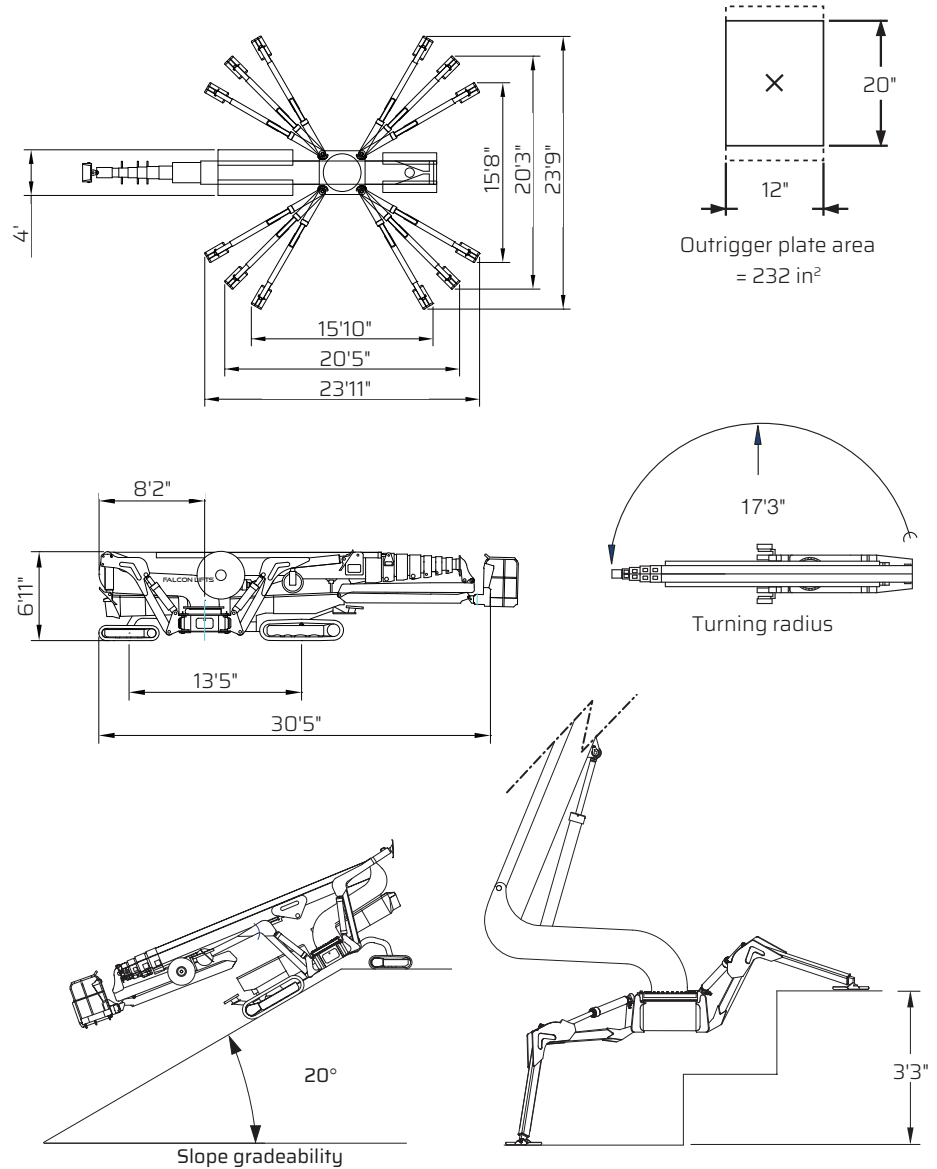
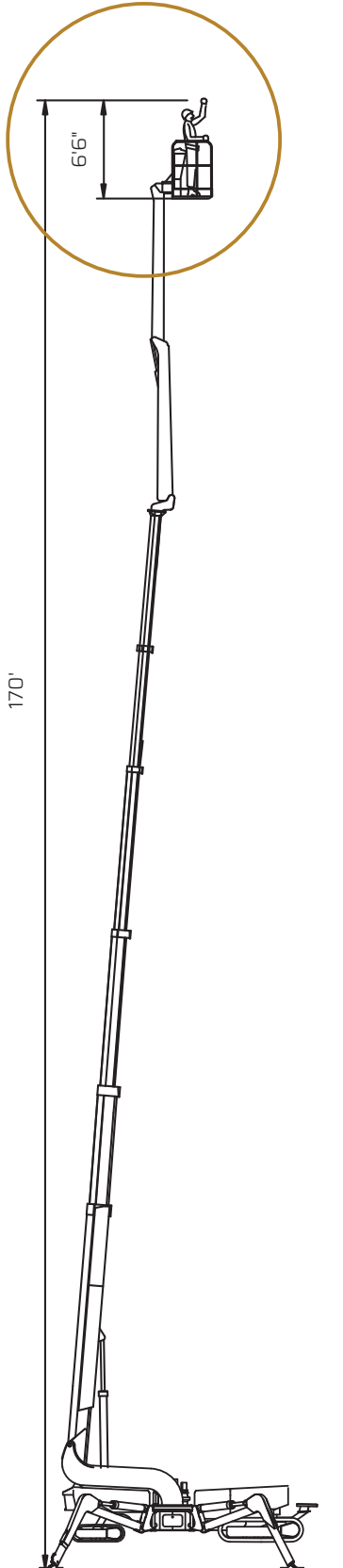


Basket load = 440 lbs

# FALCON 170

*Double Track*

## Outer measurements



## Additional info:

### Weight and ground pressure:

Weight with standard equipment	29750	lbs
Surface pressure under crawlers (soft surface)	12	PSI
Surface pressure under crawlers (hard surface)	17	PSI
Max. ground pressure under 1 outrigger plate	51	PSI